



COMPONENTES Y REFACCIONES PARA TUS HERRAMIENTALES

POWERING PRECISION IN PLASTIC INJECTION

CATÁLOGO DE PRODUCTO
PRODUCT CATALOG **2025**

BOTADORES, CORAZONEROS
MANGAS & ESPADAS

PERNOS MÉTRICOS
NORMA DIN

RESISTENCIAS
Y TERMOPARES

ELEMENTOS
DE IZAJE

SISTEMA DE
ENFRIAMIENTO



Una Década de Compromiso Contigo y con la Industria



En Dincel destacamos al ofrecer a nuestros clientes los mejores productos en la industria de la inyección de plástico.

In Dincel we thrive by getting our customers the best products in the Plastic Injection Industry.

CON DINCEL, TUS IDEAS SE CONVIERTEN EN SOLUCIONES

AT DINCEL, YOUR IDEAS TURN INTO SOLUTIONS

Dincel surge como una fuerza emergente en el dinámico panorama empresarial del noreste de México.

Nos enorgullece nuestro papel como el vínculo que conecta y amplifica el alcance de los negocios en nuestra región.

Creemos firmemente que la colaboración estratégica puede llevar a los productos líderes a nuevos niveles en nuestro mercado. Al trabajar juntos, podemos facilitar el camino hacia el éxito que trasciende fronteras y crea nuevas oportunidades para todos.

Dincel emerges as a rising force in the dynamic business landscape of northeastern Mexico. We take pride in our role as the link that connects and amplifies the reach of businesses in our region.

We strongly believe that strategic collaboration can take leading products to new heights in our market. By working together, we can pave the way for success that transcends borders and creates new opportunities for everyone.



DINCEL



**PERNOS MÉTRICOS
NORMA DIN**

WWW.DINCEL.COM.MX

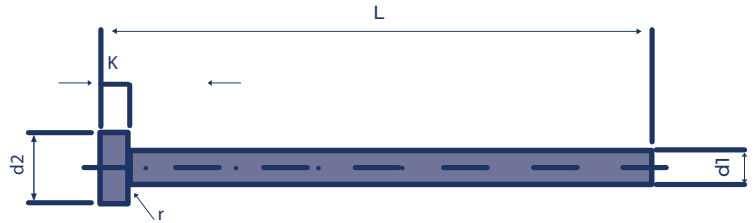
**PRECISION
REDEFINED,
POWERED BY
DINCEL.**

BOTADOR NITRURADO CON OXIDO DE PLASMA

RPA11

DIN 1530 FORMA A

- ✓ **Material:** Acero 1.2343 - 1.2344
- ✓ **Dureza de la cabeza:** 47 ± 5 HRC
- ✓ **Dureza del vástago:** > 1050 HV
- ✓ **Resistencia a la tracción:** ≥ 1450 N/mm²
- ✓ **Tratamiento térmico:** Nitruración y oxidación (negro)
- ✓ **Acabado superficial:** Finamente rectificado
- ✓ **Notas:** Se realizan medidas a pedido



d1 g6	d2 0-0.2	k 0-0.05	r +0.2	L +2														
				100	125	160	200	250	315	400	500	630	800	1000	1250	1600		
1.5	3	1.5	0.2	✓	✓	✓	✓											
2	4	2		✓	✓	✓	✓	✓	✓									
2.2				✓	✓	✓	✓	✓	✓									
2.5				✓	✓	✓	✓	✓	✓									
2.7	5			✓	✓	✓	✓	✓										
3				✓	✓	✓	✓	✓	✓	✓								
3.2				✓	✓	✓	✓	✓	✓	✓	✓	✓						
3.5	7	3		✓	✓	✓	✓	✓	✓	✓								
3.7				✓	✓	✓	✓	✓	✓	✓								
4				✓	✓	✓	✓	✓	✓	✓	✓	✓						
4.2	8			✓	✓	✓	✓	✓	✓	✓	✓	✓						
4.5				✓	✓	✓	✓	✓	✓	✓	✓	✓						
5				✓	✓	✓	✓	✓	✓	✓	✓	✓	✓					
5.2	10			✓	✓	✓	✓	✓	✓	✓	✓	✓	✓	✓				
5.5				✓	✓	✓	✓	✓	✓	✓	✓	✓	✓	✓	✓			
6			✓	✓	✓	✓	✓	✓	✓	✓	✓	✓	✓	✓	✓			
6.2	12	5	0.5	✓	✓	✓	✓	✓	✓	✓	✓	✓	✓	✓	✓			
6.5				✓	✓	✓	✓	✓	✓	✓	✓	✓	✓	✓	✓	✓	✓	
7				✓	✓	✓	✓	✓	✓	✓	✓	✓	✓	✓	✓	✓	✓	
7.5	✓			✓	✓	✓	✓	✓	✓	✓	✓	✓	✓	✓	✓	✓		
8	14			✓	✓	✓	✓	✓	✓	✓	✓	✓	✓	✓	✓	✓	✓	
8.2				✓	✓	✓	✓	✓	✓	✓	✓	✓	✓	✓	✓	✓	✓	✓
8.5				✓	✓	✓	✓	✓	✓	✓	✓	✓	✓	✓	✓	✓	✓	✓
9	16			✓	✓	✓	✓	✓	✓	✓	✓	✓	✓	✓	✓	✓	✓	✓
10				✓	✓	✓	✓	✓	✓	✓	✓	✓	✓	✓	✓	✓	✓	✓
10.2		✓		✓	✓	✓	✓	✓	✓	✓	✓	✓	✓	✓	✓	✓	✓	
10.5	18	✓		✓	✓	✓	✓	✓	✓	✓	✓	✓	✓	✓	✓	✓	✓	
11		✓		✓	✓	✓	✓	✓	✓	✓	✓	✓	✓	✓	✓	✓	✓	
12		✓		✓	✓	✓	✓	✓	✓	✓	✓	✓	✓	✓	✓	✓	✓	
12.2	22	7		0.8	✓	✓	✓	✓	✓	✓	✓	✓	✓	✓	✓	✓	✓	
12.5					✓	✓	✓	✓	✓	✓	✓	✓	✓	✓	✓	✓	✓	✓
14			✓		✓	✓	✓	✓	✓	✓	✓	✓	✓	✓	✓	✓	✓	✓
16	24		✓		✓	✓	✓	✓	✓	✓	✓	✓	✓	✓	✓	✓	✓	✓
18			✓		✓	✓	✓	✓	✓	✓	✓	✓	✓	✓	✓	✓	✓	✓
20			✓		✓	✓	✓	✓	✓	✓	✓	✓	✓	✓	✓	✓	✓	✓
25	26		8		1		✓	✓	✓	✓	✓	✓	✓	✓	✓	✓	✓	✓
32			10		1			✓	✓	✓	✓	✓	✓	✓	✓	✓	✓	✓
32	40							✓	✓	✓	✓	✓	✓	✓	✓	✓	✓	✓

CLAVE DE SIMBOLOS

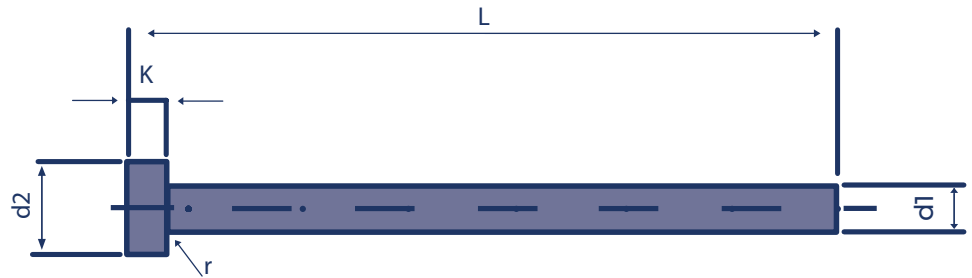
<input checked="" type="checkbox"/>	ARTÍCULO EN STOCK
-------------------------------------	-------------------

PERNO CORAZONERO

RPA14

ISO 6751 FORMA A

- ✓ **Material:** Acero 1.2343 - 1.23444
- ✓ **Dureza de la cabeza:** 47 ± 5 HRC
- ✓ **Dureza del vástago:** 45...46 HRC
- ✓ **Tratamiento térmico:** No ejecutado
- ✓ **Acabado superficial:** Finamente rectificado
- ✓ **Notas:** Se realizan medidas a pedido



d1 g6	d2 0-0.2	k 0-0.05	r +0.2	L +2 -0															
				100	125	160	200	250	315	400	500	630							
1.5	3	1.5	0.2	✓	✓	✓	✓												
2	4	2		✓	✓	✓	✓												
2.2	5		3	0.3	✓	✓	✓	✓											
2.5		✓			✓	✓	✓												
2.7	6	3	0.3	✓	✓	✓	✓	✓	✓	✓	✓	✓							
3				✓	✓	✓	✓	✓	✓	✓	✓	✓	✓	✓					
3.2	7	3	0.3	✓	✓	✓	✓	✓	✓	✓	✓	✓							
3.5				✓	✓	✓	✓	✓	✓	✓	✓	✓	✓	✓					
3.7	8	3	0.3	✓	✓	✓	✓	✓	✓	✓	✓	✓							
4				✓	✓	✓	✓	✓	✓	✓	✓	✓	✓	✓					
4.2	10	3	0.3	✓	✓	✓	✓	✓	✓	✓	✓	✓							
4.5				✓	✓	✓	✓	✓	✓	✓	✓	✓	✓	✓					
5	12	5	0.5	✓	✓	✓	✓	✓	✓	✓	✓	✓	✓	✓	✓	✓	✓	✓	✓
5.2				✓	✓	✓	✓	✓	✓	✓	✓	✓	✓	✓	✓	✓	✓	✓	✓
5.5	14	5	0.5	✓	✓	✓	✓	✓	✓	✓	✓	✓	✓	✓	✓	✓	✓	✓	✓
6				✓	✓	✓	✓	✓	✓	✓	✓	✓	✓	✓	✓	✓	✓	✓	✓
6.2	16	5	0.5	✓	✓	✓	✓	✓	✓	✓	✓	✓	✓	✓	✓	✓	✓	✓	✓
6.5				✓	✓	✓	✓	✓	✓	✓	✓	✓	✓	✓	✓	✓	✓	✓	✓
7	18	7	0.8	✓	✓	✓	✓	✓	✓	✓	✓	✓	✓	✓	✓	✓	✓	✓	✓
7.5				✓	✓	✓	✓	✓	✓	✓	✓	✓	✓	✓	✓	✓	✓	✓	✓
8	22	7	0.8	✓	✓	✓	✓	✓	✓	✓	✓	✓	✓	✓	✓	✓	✓	✓	✓
8.2				✓	✓	✓	✓	✓	✓	✓	✓	✓	✓	✓	✓	✓	✓	✓	✓
8.5	24	7	0.8	✓	✓	✓	✓	✓	✓	✓	✓	✓	✓	✓	✓	✓	✓	✓	✓
9				✓	✓	✓	✓	✓	✓	✓	✓	✓	✓	✓	✓	✓	✓	✓	✓
9.5	26	8	0.8	✓	✓	✓	✓	✓	✓	✓	✓	✓	✓	✓	✓	✓	✓	✓	✓
10				✓	✓	✓	✓	✓	✓	✓	✓	✓	✓	✓	✓	✓	✓	✓	✓
10.2				✓	✓	✓	✓	✓	✓	✓	✓	✓	✓	✓	✓	✓	✓	✓	✓
10.5				✓	✓	✓	✓	✓	✓	✓	✓	✓	✓	✓	✓	✓	✓	✓	✓
11				✓	✓	✓	✓	✓	✓	✓	✓	✓	✓	✓	✓	✓	✓	✓	✓
12				✓	✓	✓	✓	✓	✓	✓	✓	✓	✓	✓	✓	✓	✓	✓	✓
12.2				✓	✓	✓	✓	✓	✓	✓	✓	✓	✓	✓	✓	✓	✓	✓	✓
12.5				✓	✓	✓	✓	✓	✓	✓	✓	✓	✓	✓	✓	✓	✓	✓	✓
14				✓	✓	✓	✓	✓	✓	✓	✓	✓	✓	✓	✓	✓	✓	✓	✓
16				✓	✓	✓	✓	✓	✓	✓	✓	✓	✓	✓	✓	✓	✓	✓	✓
18				✓	✓	✓	✓	✓	✓	✓	✓	✓	✓	✓	✓	✓	✓	✓	✓
20				✓	✓	✓	✓	✓	✓	✓	✓	✓	✓	✓	✓	✓	✓	✓	✓

CLAVE DE SIMBOLOS

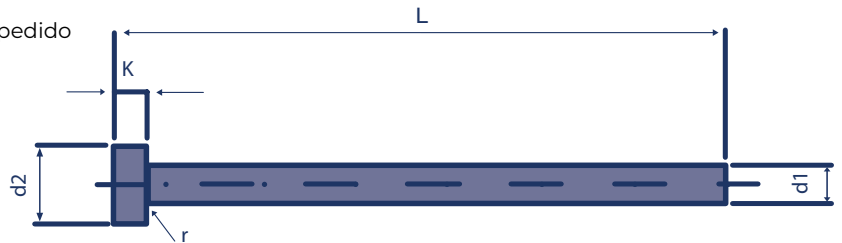
✓ ARTÍCULO EN STOCK

PERNO CORAZONERO DE ALTA DUREZA

RPA01

ISO 6751 FORMA AH

- ✓ **Material:** Acero 1.2210 - 1.2067
- ✓ **Dureza de la cabeza:** 45+3 HRC
- ✓ **Dureza del vástago:** 60+2 HRC
- ✓ **Tratamiento térmico:** Temple
- ✓ **Acabado superficial:** Rectificado y lapeado
- ✓ **Notas:** Se realizan medidas a pedido



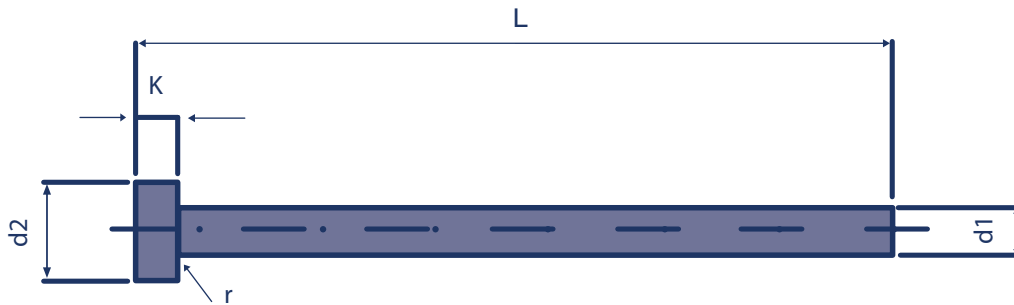
d1 g6	d2 0 -0.2	k 0 -0.05	r +0.2	L +2 -0											
				100	125	160	200	250	315	400	500	630	800	1000	
0,8	2.5	1.2	0.2	✓	✓	✓	✓	✓							
1				✓	✓	✓	✓	✓							
1.1				✓	✓	✓	✓	✓							
1.2				✓	✓	✓	✓	✓							
1.3				✓	✓	✓	✓	✓							
1.4	✓	✓		✓	✓	✓									
1.5	3	1.5		✓	✓	✓	✓	✓	✓						
1.6				✓	✓	✓	✓	✓							
1.7				✓	✓	✓	✓	✓							
1.8				✓	✓	✓	✓	✓							
1.9				✓	✓	✓	✓	✓							
2	4	2		✓	✓	✓	✓	✓	✓	✓					
2.05				✓	✓	✓	✓								
2.1				✓	✓	✓	✓								
2.2				✓	✓	✓	✓	✓	✓						
2.25			✓	✓	✓	✓									
2.3	5	2	✓	✓	✓	✓	✓								
2.4			✓	✓	✓	✓									
2.5			✓	✓	✓	✓	✓	✓	✓						
2.6			✓	✓	✓	✓									
2.7			✓	✓	✓	✓	✓	✓	✓						
2.8	✓	✓	✓	✓											
2.9	6	3	✓	✓	✓	✓	✓	✓	✓	✓					
3			✓	✓	✓	✓	✓	✓	✓	✓					
3.05			✓	✓	✓	✓									
3.1			✓	✓	✓	✓									
3.2			✓	✓	✓	✓	✓	✓	✓						
3.3	✓	✓	✓	✓											
3.4	7	3	✓	✓	✓	✓	✓	✓	✓						
3.5			✓	✓	✓	✓	✓	✓	✓						
3.6			✓	✓	✓	✓									
3.7			✓	✓	✓	✓	✓	✓	✓						
3.8			✓	✓	✓	✓									
3.9	8	3	✓	✓	✓	✓	✓	✓	✓						
4			✓	✓	✓	✓	✓	✓	✓	✓					
4.05			✓	✓	✓	✓									
4.1			✓	✓	✓	✓	✓								

BOTADOR DE COBRE

RPA19

ISO 6751

- ✔ **Material:** Cobre sin berilio
- ✔ **Dureza de la superficie:** 4185+210 HB
- ✔ **Coef. dilat. termica:** 20°...200° 0,000016
- ✔ **Conductividad térmica:** A 20 C° 200 W/mk
- ✔ **Máxima temperatura:** 390 C°
- Notas:** Se realizan medidas a pedido



d1 g6	d2 -0,2 +0,0	k -0,05	L 1 +2,0							
			100	160	200	250	315	400	500	
2	4	2	✔	✔		✔				
2.5	5		✔	✔		✔				
2.7			✔	✔		✔				
3	6	3	✔	✔		✔				
3.2			✔	✔		✔				
3.5	7		✔	✔		✔				
3.7			✔	✔		✔				
4			✔	✔	✔	✔	✔			
4.2	8		✔	✔	✔	✔				
4.5			✔	✔	✔	✔				
5	10	✔	✔	✔	✔	✔				
5.2		✔	✔	✔	✔					
6		✔	✔	✔	✔	✔				
6.2	12	5	✔	✔	✔	✔				
7			✔	✔						
8			✔	✔	✔		✔			
8.2	14		✔	✔	✔					
10			✔	✔	✔		✔			
12	18		7	✔	✔	✔		✔	✔	
14				✔	✔	✔		✔	✔	✔
16		✔		✔	✔		✔	✔	✔	

CLAVE DE SIMBOLOS

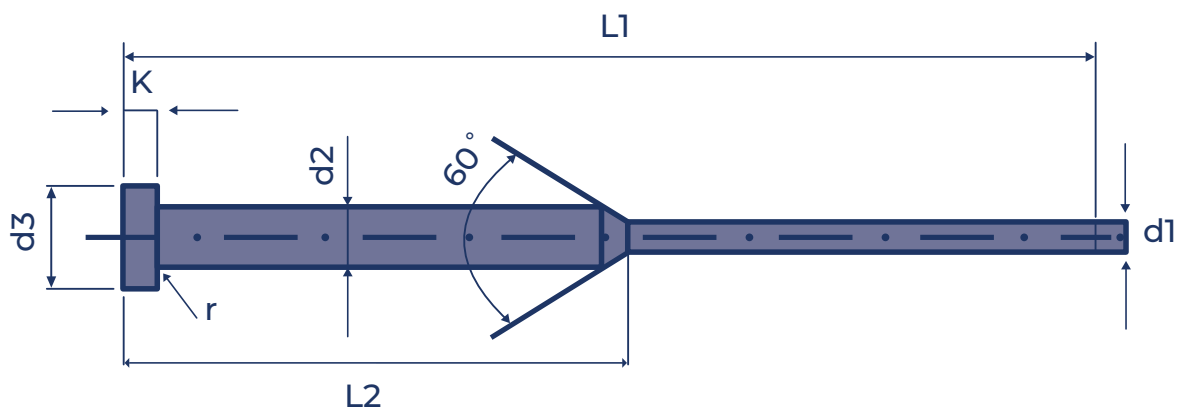
✔ ARTÍCULO EN STOCK

BOTADOR TEMPLADO CON HOMBRO

RPA04

ISO 8694 FORMA CH

- ✓ **Material:** Acero 1.2842
- ✓ **Dureza de superficie:** 60...62 HRC
- ✓ **Dureza de la cabeza:** 45±5 HRC
- ✓ **Tratamiento térmico:** Temple
- ✓ **Acabado superficial:** Finamente rectificado
- ✓ **Notas:** Se realizan medidas a pedido



d2 -0.1	k -0.05	r +0.2	d3 -0.2	d1 g6	L1								
					63	80	100	125	150	160	200	250	
					L2								
					25	35	50	50	50	75	75	100	
2	2	0.2	4	0.8	✓	✓	✓	✓	✓	✓	✓	✓	
				0.9	✓	✓	✓	✓	✓	✓	✓	✓	
				1	✓	✓	✓	✓	✓	✓	✓	✓	
				1.1	✓	✓	✓	✓	✓	✓	✓	✓	
				1.2	✓	✓	✓	✓	✓	✓	✓	✓	
				1.3	✓	✓	✓	✓	✓	✓	✓	✓	
3	3	0.3	6	1.4	✓	✓	✓	✓	✓	✓	✓	✓	
				1.5	✓	✓	✓	✓	✓	✓	✓	✓	✓
				1.6		✓	✓	✓	✓	✓	✓	✓	
				1.7		✓	✓	✓	✓	✓	✓	✓	
				1.8		✓	✓	✓	✓	✓	✓	✓	
				1.9		✓	✓	✓	✓	✓	✓	✓	
				2		✓	✓	✓	✓	✓	✓	✓	✓
				2.1			✓	✓	✓	✓	✓	✓	
				2.2			✓	✓	✓	✓	✓	✓	
				2.3				✓	✓	✓	✓	✓	
2.4				✓	✓	✓	✓	✓					
2.5					✓	✓	✓	✓	✓	✓			

CLAVE DE SIMBOLOS

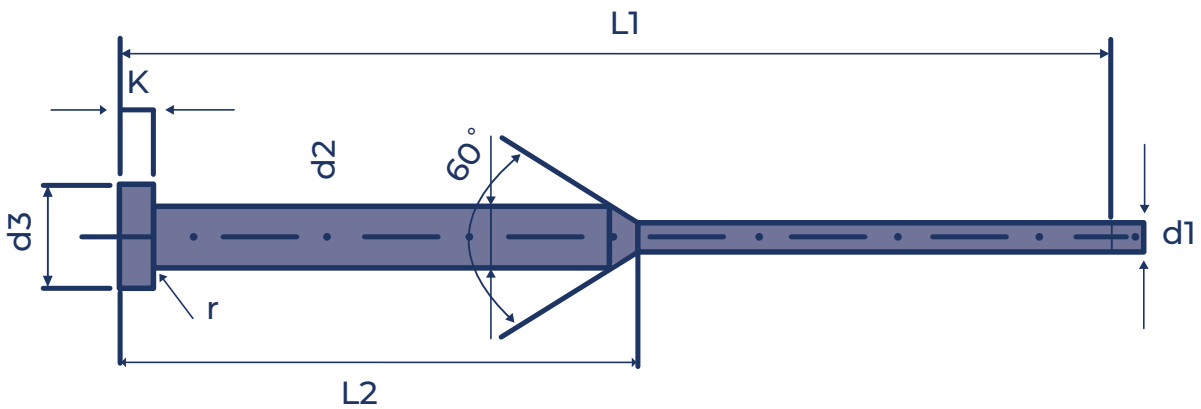
✓ ARTÍCULO EN STOCK

BOTADOR NITRURADO CON HOMBRO

RPA09

ISO 8694 FORMA C

- ✔ **Material:** Acero 1.2343
- ✔ **Dureza de la superficie:** 45±5 HRC
- ✔ **Dureza de la cabeza:** 950 - 1100 HV
- ✔ **Tratamiento térmico:** Nitruración y oxidación
- ✔ **Notas:** Se realizan medidas a pedido



d2 -0.1	k -0.05	r +0.2	d3 -0.2	d1 g6	L1						
					80	100	125	150	160	200	
					L2						
					35	50	50	50	75	75	
2	2	0.2	4	0.8	✔	✔	✔	✔	✔		
				0.9	✔	✔	✔	✔	✔		
				1.0	✔	✔	✔	✔	✔	✔	
				1.1	✔	✔	✔	✔	✔		
				1.2	✔	✔	✔	✔	✔		
				1.3	✔	✔	✔	✔	✔	✔	
				1.4	✔	✔	✔	✔	✔		
3	3	0.3	6	1.5	✔	✔	✔	✔	✔	✔	
				1.6	✔	✔	✔		✔	✔	
				1.7	✔	✔	✔		✔	✔	
				1.8	✔	✔	✔		✔	✔	
				1.9	✔	✔	✔		✔	✔	
				2.0	✔	✔	✔	✔	✔	✔	
				2.2	✔	✔	✔		✔	✔	
				2.5		✔	✔	✔	✔	✔	

CLAVE DE SIMBOLOS

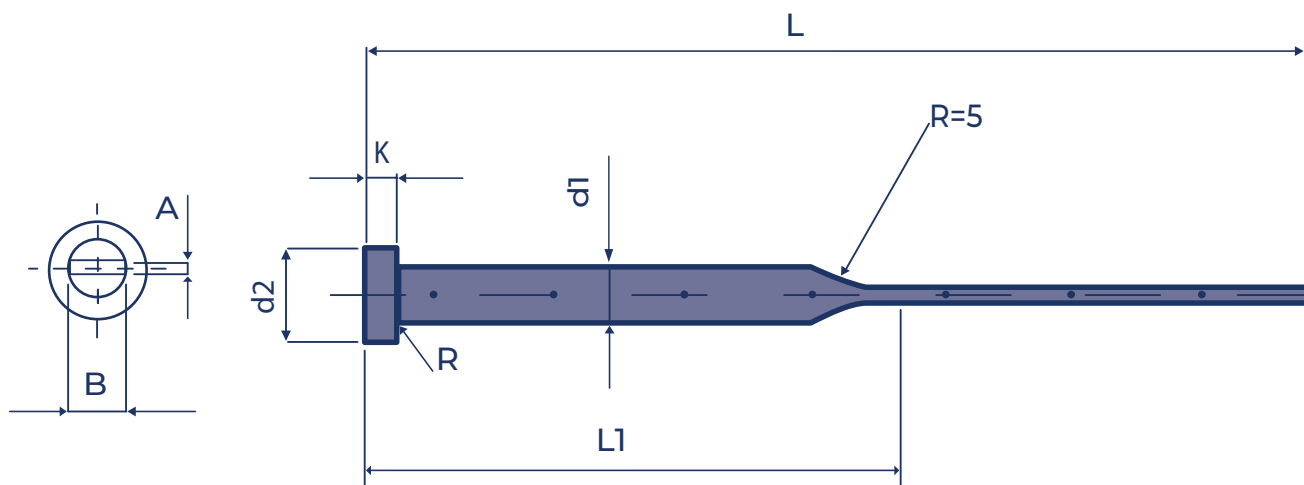
✔	ARTÍCULO EN STOCK
---	-------------------

PERNO TIPO ESPADA NITRURADO

RPA06

ISO 8693 FORMA FH

- ✓ **Material:** Acero 1.2842
- ✓ **Dureza de la cabeza:** 45±5 HRC
- ✓ **Dureza del vástago:** 60±2 HRC
- ✓ **Tratamiento térmico:** Temple
- ✓ **Acabado superficial:** Finamente rectificado
- ✓ **Notas:** Se realizan medidas a pedido



K	d2	d1	A	B	L									
					63	80	100	125	160	200	250	315	400	
-0.05	-0.02	g6	-0.015	-0.015	L1									
					30	40	50	60	80	100	125	160	200	
3	8	4.2	4	3.5	✓	✓	✓	✓	✓	✓				
			0.5	3.5			✓	✓	✓					
			0.6	3.5				✓	✓	✓				
			0.7	3.5				✓	✓	✓				
			0.8	3.8	✓	✓	✓	✓	✓	✓	✓	✓	✓	✓
			1	3.8	✓	✓	✓	✓	✓	✓	✓	✓		
	1.2	3.8		✓	✓	✓	✓	✓	✓	✓				
	10	5	1	4.5		✓	✓	✓	✓	✓	✓	✓		
	1.2		4.5		✓	✓	✓	✓	✓	✓	✓			
	1.5		4.5		✓	✓	✓	✓	✓	✓	✓	✓		
1.5	4.5			✓	✓	✓	✓	✓	✓	✓	✓			
5	12	6	0.8	5.5		✓	✓	✓	✓	✓	✓	✓		
			1	5.5		✓	✓	✓	✓	✓	✓	✓	✓	
			1.2	5.5		✓	✓	✓	✓	✓	✓	✓	✓	
			1.5	5.5		✓	✓	✓	✓	✓	✓	✓	✓	
			2	5.5		✓	✓	✓	✓	✓	✓	✓	✓	
	14	8	7.5	1.2	7.5			✓	✓	✓	✓	✓	✓	✓
				1.5	7.5			✓	✓	✓	✓	✓	✓	✓
				2	7.5			✓	✓	✓	✓	✓	✓	✓
				1.5	9.5			✓	✓	✓	✓	✓	✓	✓
				2	9.5			✓	✓	✓	✓	✓	✓	✓
7	18	12	1.5	9.5					✓	✓	✓	✓	✓	
			2	11.5					✓	✓	✓	✓	✓	
			2.5	11.5					✓	✓	✓	✓	✓	

CLAVE DE SIMBOLOS

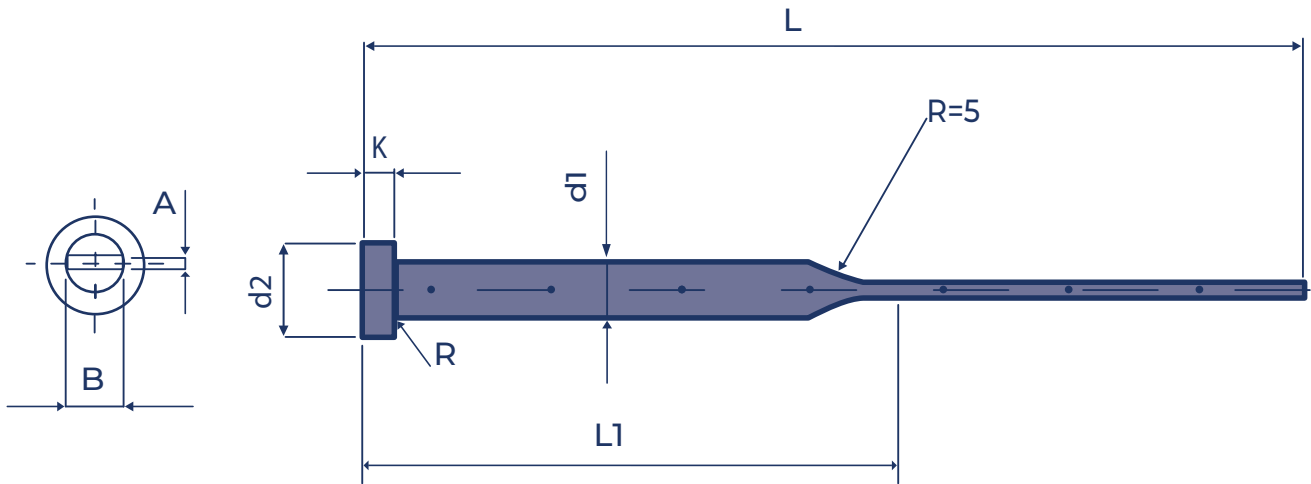
	ARTÍCULO EN STOCK
--	-------------------

ESPADA BOTADORA TEMPLADA

RPA10

ISO 8693 FORMA F

- ✔ **Material:** Acero 1.2343
- ✔ **Dureza de la cabeza:** 46±3 HRC
- ✔ **Dureza del vástago:** 950 - 1100 Hv
- ✔ **Tratamiento térmico:** Nitruración y oxidación
- ✔ **Acabado superficial:** Rectificado
- Notas:** Se realizan medidas a pedido



K	d2	d1	A	B	L								
					63	80	100	125	160	200	250	315	400
-0.05	-0.02	g6	-0.015	-0.015	L1								
					30	40	50	60	80	100	125	160	200
3	8	4	1	3.5	✔	✔	✔						
			0.8		✔	✔	✔	✔					
		4.2	1	3.8	✔	✔	✔	✔	✔				
			1.2			✔	✔	✔					
	10	5	1	4.5		✔	✔	✔	✔	✔			
			1.2			✔	✔	✔	✔				
1.5						✔	✔	✔	✔	✔			
5	12	6	1	5.5		✔	✔	✔	✔				
			1.2			✔	✔	✔	✔				
		1.5				✔	✔	✔	✔	✔			
			2				✔	✔	✔	✔			
	14	8	1.2	7.5			✔	✔	✔	✔			
			1.5				✔	✔	✔	✔	✔		
		2					✔	✔	✔	✔	✔		
									✔	✔	✔	✔	
16	10	1.5	9.5					✔	✔	✔	✔		
		2						✔	✔	✔	✔		
7	18	12	2	11.5						✔	✔	✔	
			2.5							✔	✔	✔	
	22	16	2		15.5						✔	✔	✔
			2.5								✔	✔	✔

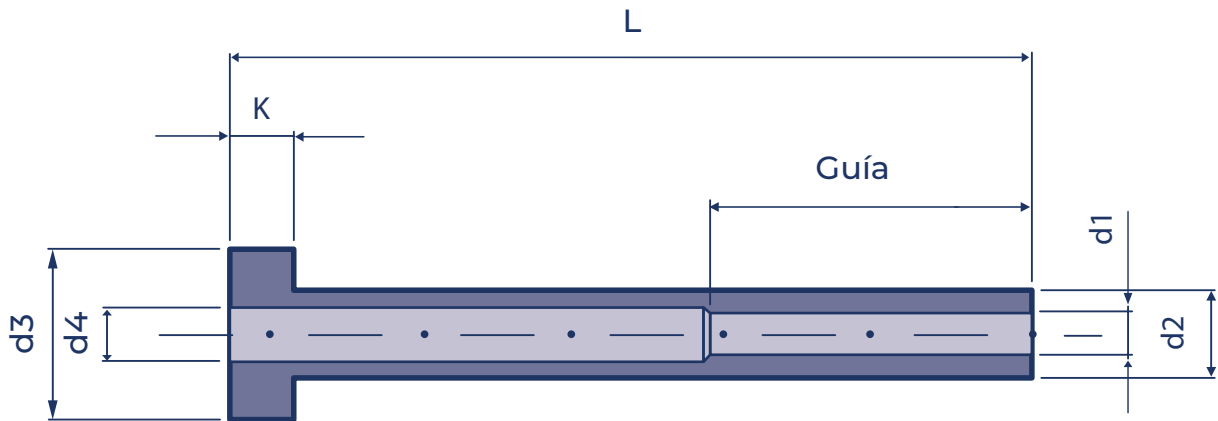
CLAVE DE SIMBOLOS

<input checked="" type="checkbox"/>	ARTÍCULO EN STOCK
-------------------------------------	-------------------

PERNO BOTADOR TIPO MANGA TEMPLADO

RPB10
ISO 8405

- ✓ **Material:** Acero 1.2842 - 1,2516
- ✓ **Dureza superficial:** 62±2 HRC
- ✓ **Dureza de la cabeza:** 45±5 HRC
- ✓ **Concentricidad:** 00.03 Max
- ✓ **Tratamiento térmico:** Temple
- ✓ **Acabado superficial:** Rectificado y lapeado
- ✓ **Notas:** Se realizan medidas a pedido



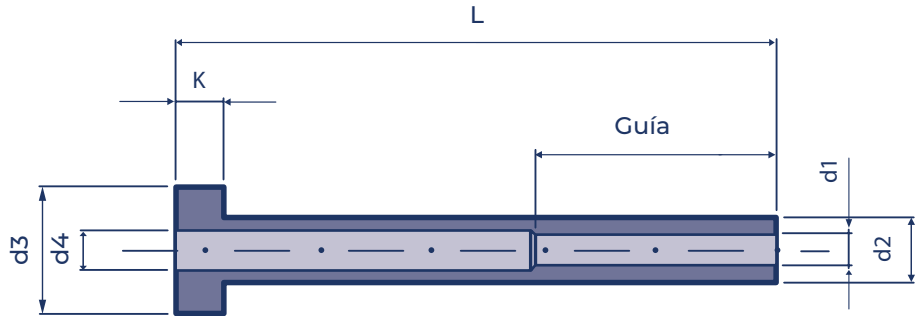
d1 H6	d2 g6	d3 -0.2 +0	K -0.05 +0	Guía +2 +0	Longitud (+1)									
					75	100	125	150	160	175	200	225	250	
2	4	8	3	35	✓	✓	✓	✓		✓	✓	✓	✓	
2.2	4	8	3	35	✓	✓	✓	✓		✓	✓	✓	✓	
2.5	5	10	3	35	✓	✓	✓	✓		✓	✓	✓	✓	
2.7	5	10	3	45	✓	✓	✓	✓		✓	✓	✓	✓	
3	5	10	3	45	✓	✓	✓	✓	✓	✓	✓	✓	✓	
3.2	5	10	3	45	✓	✓	✓	✓	✓	✓	✓	✓	✓	
3.5	2	12	5	45	✓	✓	✓	✓	✓	✓	✓	✓	✓	
3.7	6	12	5	45	✓	✓	✓	✓		✓	✓	✓	✓	
4	6	12	5	45	✓	✓	✓	✓	✓	✓	✓	✓	✓	
4.2	8	14	5	45	✓	✓	✓	✓	✓	✓	✓	✓	✓	
4.5	8	14	5	45	✓	✓	✓	✓	✓	✓	✓	✓	✓	
5	8	14	5	45	✓	✓	✓	✓	✓	✓	✓	✓	✓	
5.2	8	14	5	45	✓	✓	✓	✓	✓	✓	✓	✓	✓	
5.5	8	14	5	50	✓	✓	✓	✓		✓	✓	✓	✓	
6	10	16	5	45	✓	✓	✓	✓	✓	✓	✓	✓	✓	
6.2	10	16	5	45	✓	✓	✓	✓	✓	✓	✓	✓	✓	
6.5	10	16	5	50	✓	✓	✓	✓		✓	✓	✓	✓	
8	12	20	7	45	✓	✓	✓	✓	✓	✓	✓	✓	✓	
8.2	12	20	7	45	✓	✓	✓	✓	✓	✓	✓	✓	✓	
8.5	12	20	7	45	✓	✓	✓	✓		✓	✓	✓	✓	
10	14	22	7	50	✓	✓	✓	✓	✓	✓	✓	✓	✓	
10.2	14	22	7	50	✓	✓	✓	✓		✓	✓	✓	✓	
10.5	14	22	7	50	✓	✓	✓	✓		✓	✓	✓	✓	
12	16	22	7	50	✓	✓	✓	✓	✓	✓	✓	✓	✓	
12.5	16	22	7	50	✓	✓	✓	✓		✓	✓	✓	✓	

PERNO BOTADOR TIPO MANGA NITRURADO

RPB11

ISO 8405

- ✓ **Material:** Acero 1.2343 - 1.2344
- ✓ **Dureza superficial:** 900 HV
- ✓ **Dureza de la cabeza:** 45 ± 5 HRC
- ✓ **Concentricidad:** 0.03 Max
- ✓ **Tratamiento térmico:** Nitruración
- ✓ **Acabado superficial:** Rectificado y lapeado
- ✓ **Notas:** Se realizan medidas a pedido



d1 H6	d2 g6	d3 -0.2 +0	K -0.05 +0	Guía +2 +0	Longitud (+1)														
					75	100	125	150	160	175	200	225	250	275	300	325	350	400	
2	4	8	3	35	✓	✓	✓	✓	✓	✓	✓	✓	✓	✓	✓	✓	✓	✓	✓
2.2	4	8	3	35	✓	✓	✓	✓	✓	✓	✓	✓	✓	✓	✓	✓	✓	✓	✓
2.5	5	10	3	35	✓	✓	✓	✓	✓	✓	✓	✓	✓	✓	✓	✓	✓	✓	✓
2.7	5	10	3	45	✓	✓	✓	✓	✓	✓	✓	✓	✓	✓	✓	✓	✓	✓	✓
3	5	10	3	45	✓	✓	✓	✓	✓	✓	✓	✓	✓	✓	✓	✓	✓	✓	✓
3.2	5	10	3	45	✓	✓	✓	✓	✓	✓	✓	✓	✓	✓	✓	✓	✓	✓	✓
3.5	6	12	5	45	✓	✓	✓	✓	✓	✓	✓	✓	✓	✓	✓	✓	✓	✓	✓
3.7	6	12	5	45	✓	✓	✓	✓	✓	✓	✓	✓	✓	✓	✓	✓	✓	✓	✓
4	6	12	5	45	✓	✓	✓	✓	✓	✓	✓	✓	✓	✓	✓	✓	✓	✓	✓
4.2	8	14	5	45	✓	✓	✓	✓	✓	✓	✓	✓	✓	✓	✓	✓	✓	✓	✓
4.5	8	14	5	45	✓	✓	✓	✓	✓	✓	✓	✓	✓	✓	✓	✓	✓	✓	✓
5	8	14	5	45	✓	✓	✓	✓	✓	✓	✓	✓	✓	✓	✓	✓	✓	✓	✓
5.2	8	14	5	45	✓	✓	✓	✓	✓	✓	✓	✓	✓	✓	✓	✓	✓	✓	✓
5.5	8	14	5	50	✓	✓	✓	✓	✓	✓	✓	✓	✓	✓	✓	✓	✓	✓	✓
6	10	16	5	45	✓	✓	✓	✓	✓	✓	✓	✓	✓	✓	✓	✓	✓	✓	✓
6.2	10	16	5	45	✓	✓	✓	✓	✓	✓	✓	✓	✓	✓	✓	✓	✓	✓	✓
6.5	10	16	5	50	✓	✓	✓	✓	✓	✓	✓	✓	✓	✓	✓	✓	✓	✓	✓
8	12	20	7	45	✓	✓	✓	✓	✓	✓	✓	✓	✓	✓	✓	✓	✓	✓	✓
8.2	12	20	7	45	✓	✓	✓	✓	✓	✓	✓	✓	✓	✓	✓	✓	✓	✓	✓
8.5	12	20	7	45	✓	✓	✓	✓	✓	✓	✓	✓	✓	✓	✓	✓	✓	✓	✓
10	14	22	7	50	✓	✓	✓	✓	✓	✓	✓	✓	✓	✓	✓	✓	✓	✓	✓
10.2	14	22	7	50	✓	✓	✓	✓	✓	✓	✓	✓	✓	✓	✓	✓	✓	✓	✓
10.5	14	22	7	50	✓	✓	✓	✓	✓	✓	✓	✓	✓	✓	✓	✓	✓	✓	✓
12	16	22	7	50	✓	✓	✓	✓	✓	✓	✓	✓	✓	✓	✓	✓	✓	✓	✓
12.5	16	22	7	50	✓	✓	✓	✓	✓	✓	✓	✓	✓	✓	✓	✓	✓	✓	✓

CLAVE DE SIMBOLOS

	ARTÍCULO EN STOCK
--	-------------------



ATENCIÓN PERSONALIZADA Y SURTIDO INMEDIATO

REALIZA TU PEDIDO DE MANERA FÁCIL Y RÁPIDA

Visita hoy www.DINCEL.com.mx



Precision
Redefined,
Powered by
Dincel.



COMPONENTES Y REFACCIONES
PARA TUS HERRAMENTALES

CATÁLOGO DE PRODUCTOS
PRODUCT CATALOG **2025**

**POWERING PRECISION
IN PLASTIC INJECTION**

 WWW.DINCEL.COM.MX  +52 81 4053 7300

 INFO@DINCEL.COM.MX